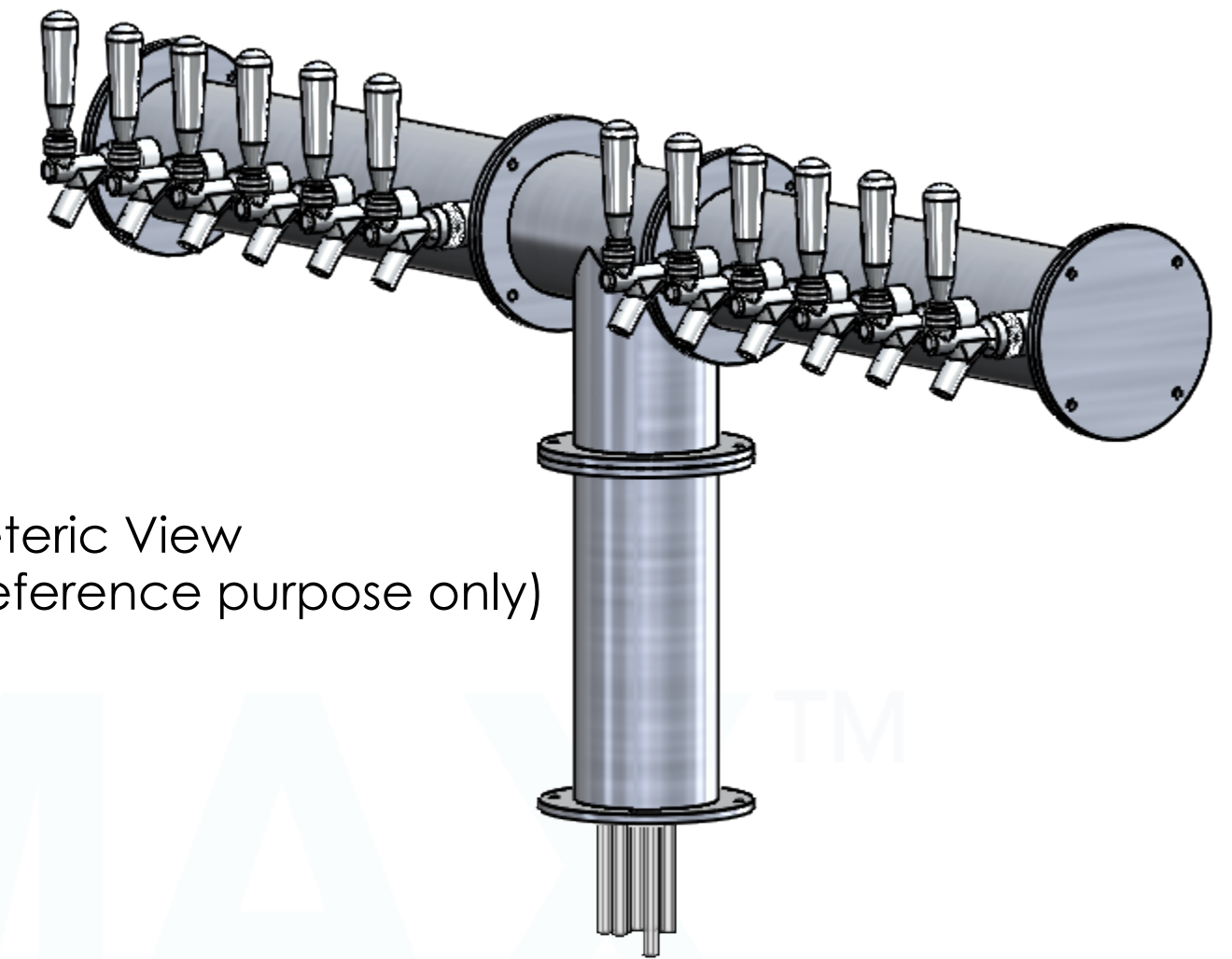
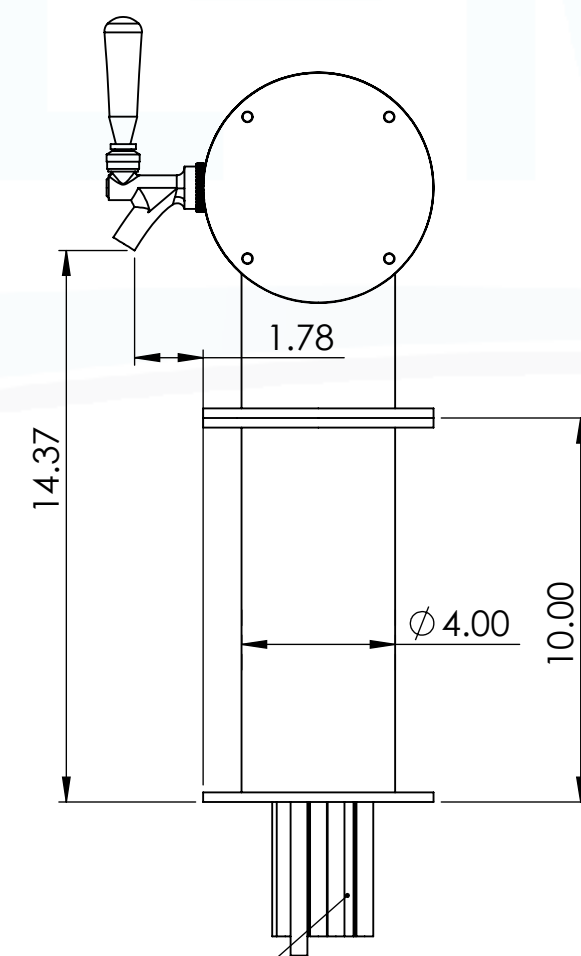
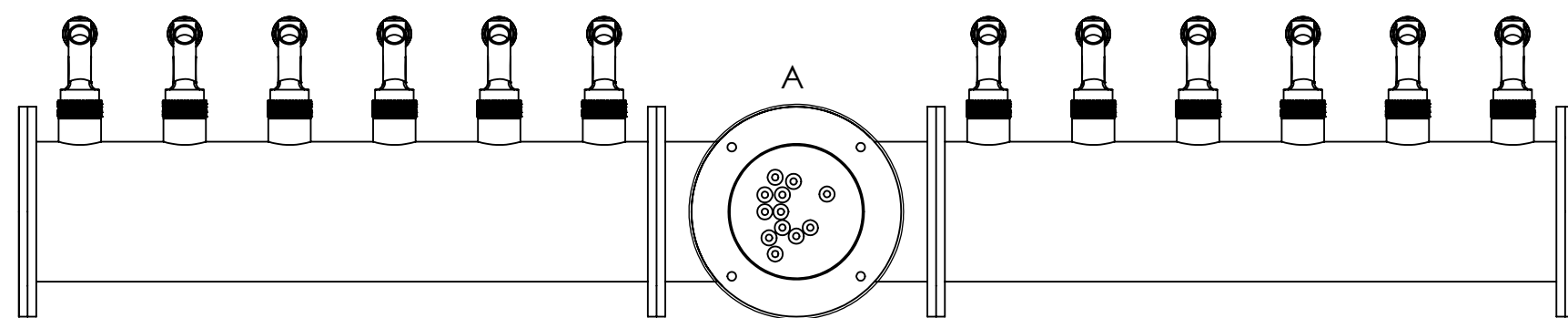
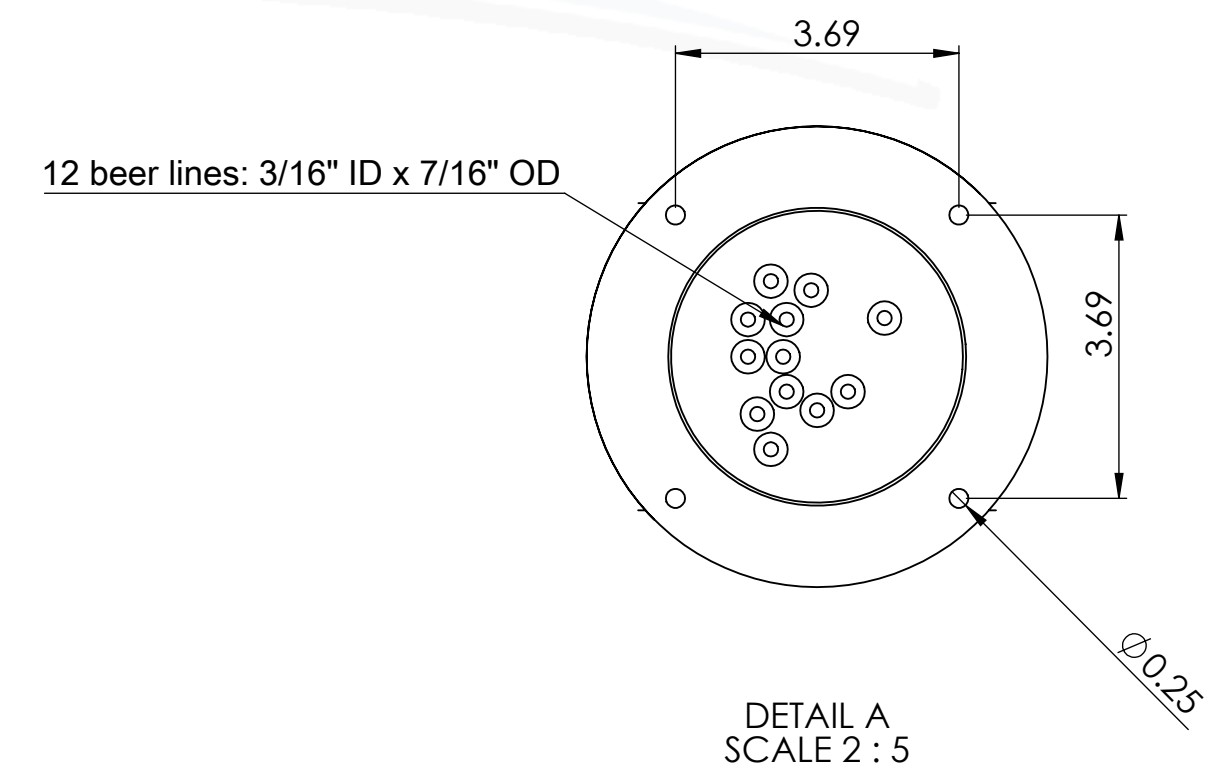


304SS tube connected to CBS NSF Flexible Total Barrier Tubing to 15lbs of Restriction



Isometric View  
(For reference purpose only)



Suggested Drip Tray:  
 BB701345 - 45" x 7" BSS Drip Tray  
 BB702445 - 45" x 7" BSS Spray Drip Tray



Drawn By:	Chillmax Beverages Solutions, LLC	Date:	11/7/2024	Title:	12 T (3"OC) BSS CONDOR TOWER CH-MX AIR	
Approved By:	Production Manager			Part Number:	BB101810-12AC	Revision:
Material:	304 SS	Finish:	Brushed SS	Scale: 1:5		
Unless otherwise mentioned, dimensions are in inches						